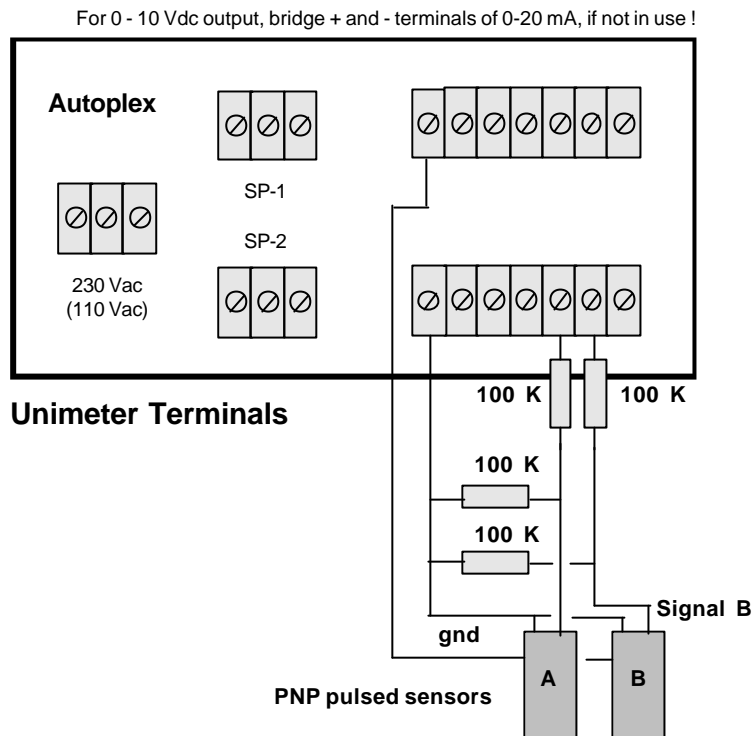


Unimeter - Using PNP Sensors

This example shows how to connect dual PNP inputs to the Unimeter XQL. The same usage of resistors may be implemented for single PNP inputs.



This example shows the wiring for function number 97 (Dual Rate Monitor).

Other single sensor applications may also use single PNP sensors by removing sensor 'B' and its associated wiring.

If one compares this wiring to the NPN wiring given in the Unimeter XQL manual, it can be seen that the power supply to the sensor is identical. Naturally, this implies the use of function 235 (User Power Supply). What is different is that the signal wire leading into the INPUT + terminal is now configured across a voltage divider. In essence, this provided the correct voltage levels for the QUADAC technology to acquire readings.