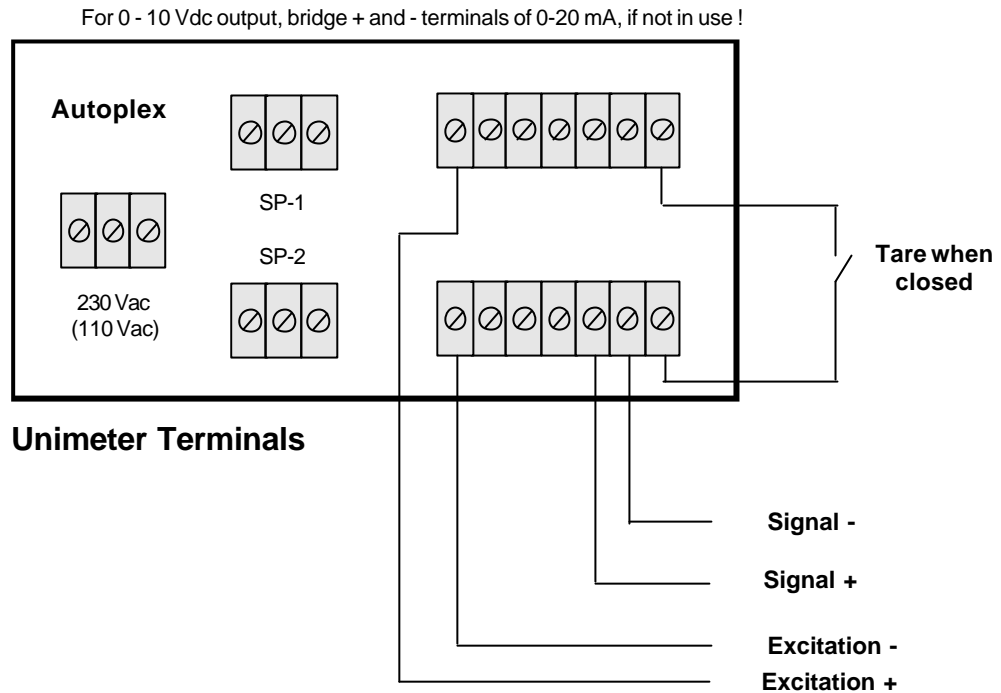


Unimeter - External Tare

This paper details the use of an external tare with the Unimeter XQL.



This feature exists for function numbers 159 and 160 (Load Cell Monitor). Please note that the use of strain gauges are identical to that of load cells.

The facility to tare or zero a load cell measurement exists through a Unimeter XQL front panel hot-key. As shown on the last page of the Unimeter XQL manual, the PGM/RUN and Right Key pressed simultaneously will tare the instrument. Conversely, the PGM/RUN and Down Key pressed simultaneously will anti-tare the instrument.

What is not documented in the Unimeter manual is the ability to tare the instrument externally by momentarily closing the S/H (sample and hold) terminal connections (as shown in the illustration above). This may be done repeatedly to zero the instrument at different values. This might be done at a weighing station where different empty containers are first tared before loading.